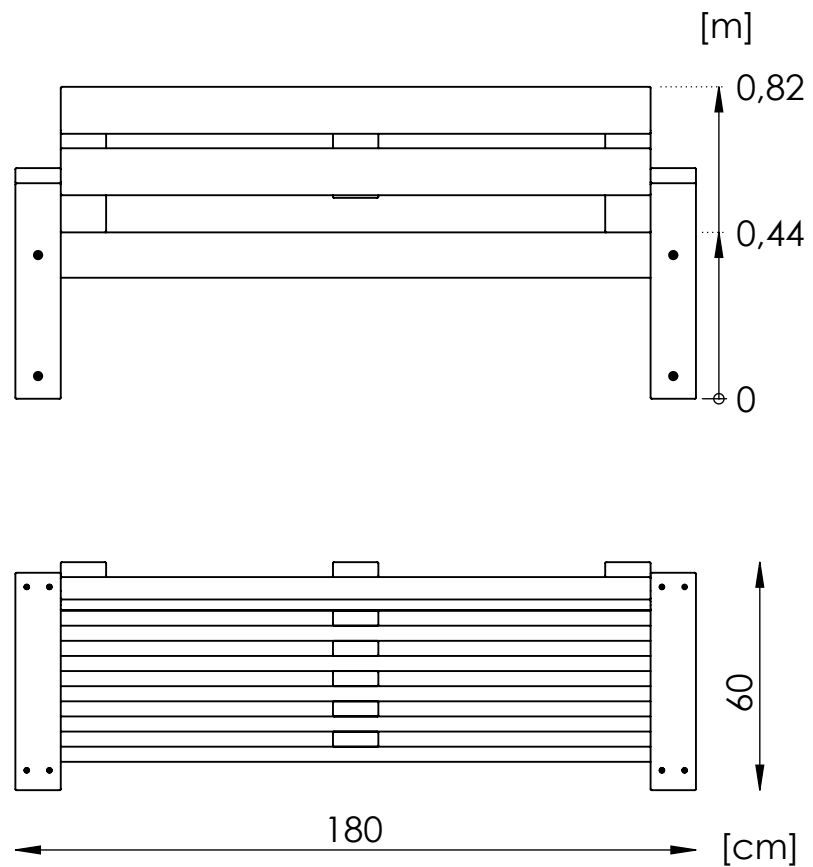
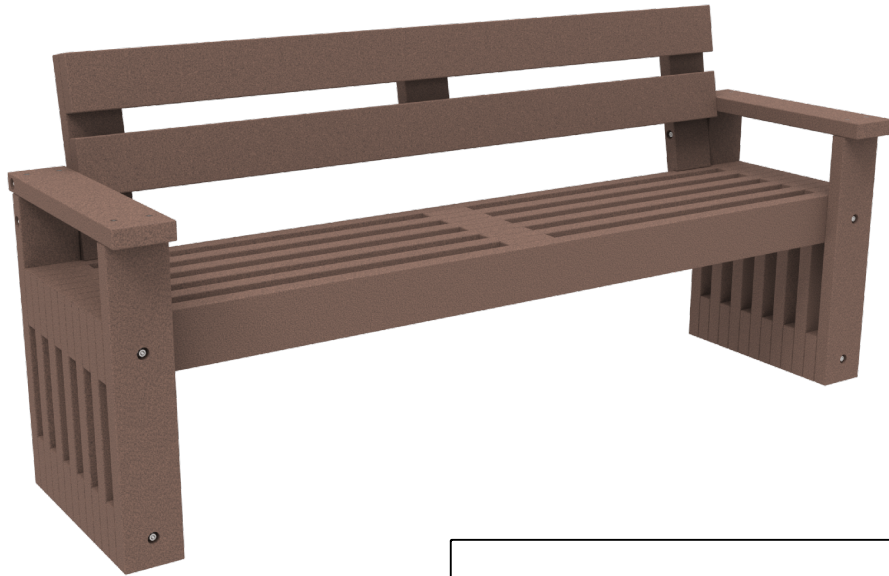


# Product Datasheet

## Bench with backrest RE-01



### Materials used:

- construction of bench is made of recycled boards with a section of 40x120 mm
- products made of polyethylene (LDPE and HDPE), a mixture of textile fibres (natural and synthetic)
- fasteners, stainless or galvanized screws